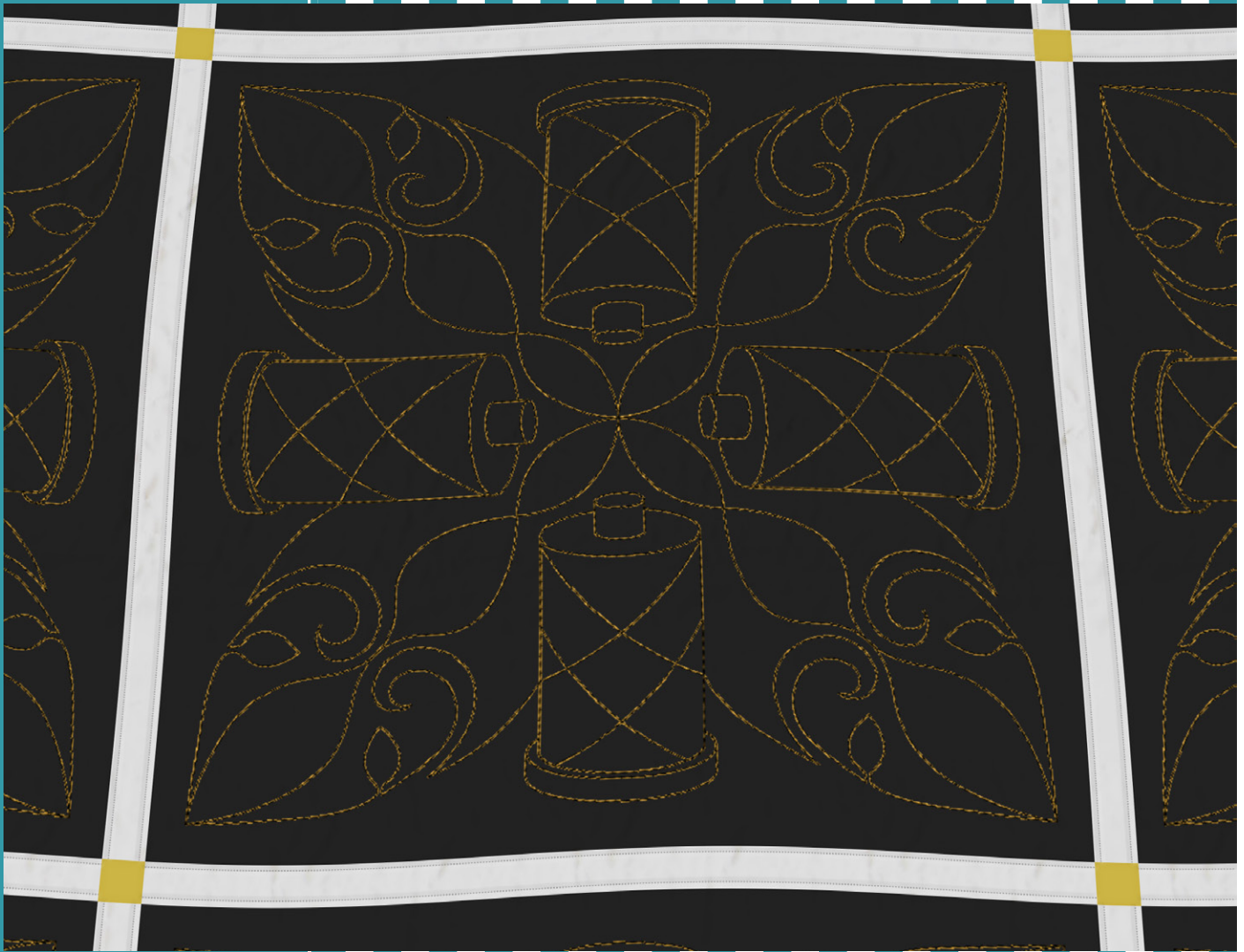


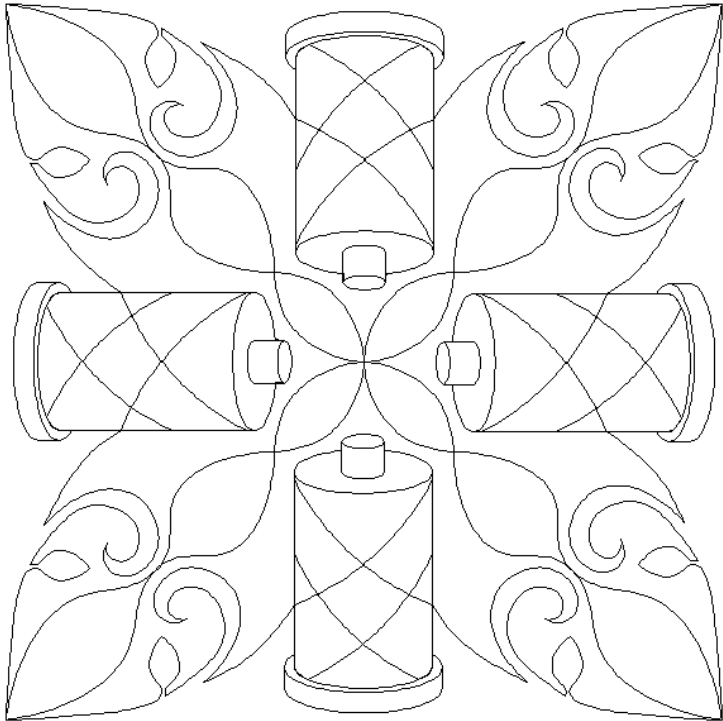
#80253



11
DESIGNS

**Sewing 2
Quilting**
by Amanda Murphy

Note: Some designs in this collection may have been created using unique special stitches and/or techniques. To preserve design integrity when rescaling or rotating designs in your software, always rescale or rotate designs using the handles directly on-screen.



80253-01 Sewing 2 Block

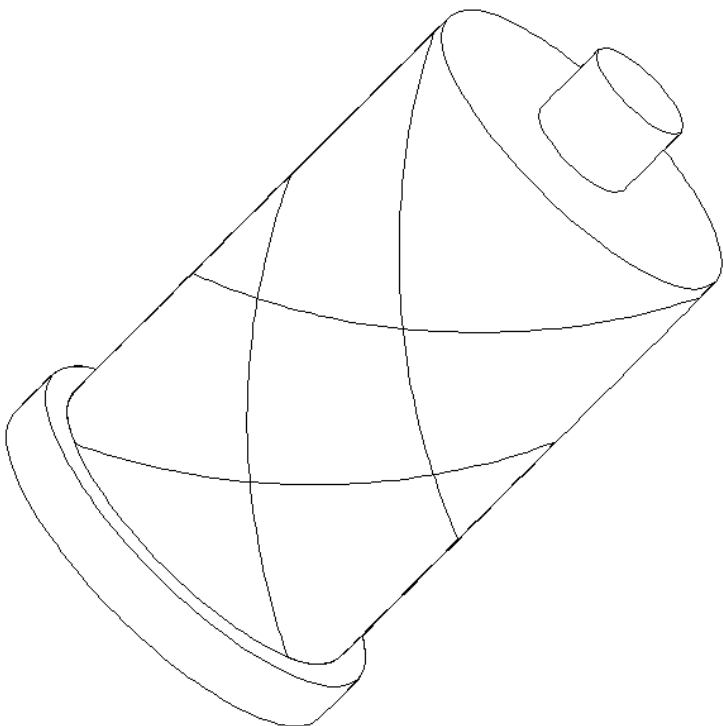
Size Inches: Size mm:
8.00 X 8.00 in. 203.20 X 203.20 mm

- 1. Single Color Design..... 0020

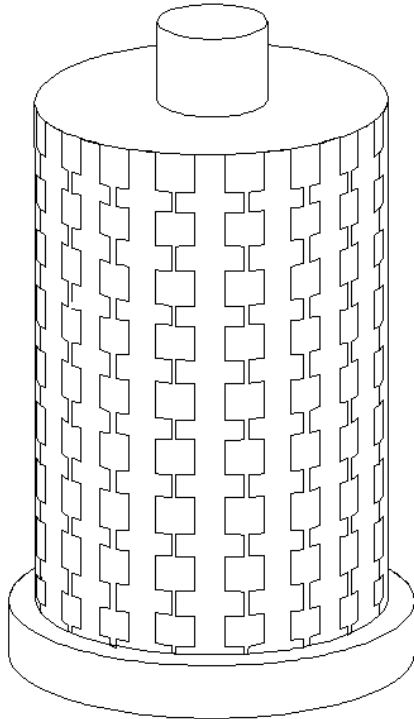
80253-02 Sewing 2 Corner

Size Inches: Size mm:
5.35 X 5.35 in. 135.89 X 135.89 mm

- 1. Single Color Design..... 0020



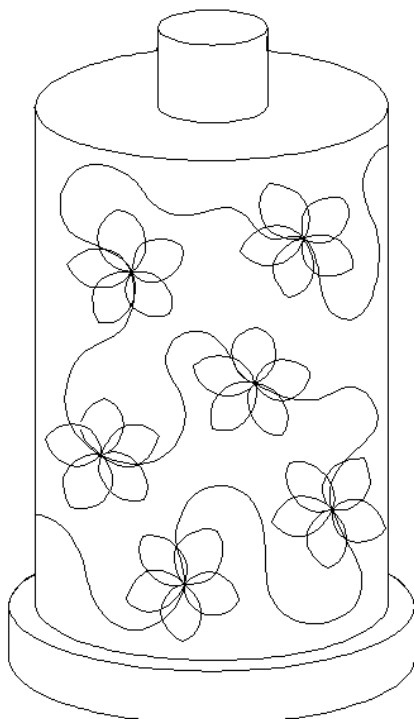
Note: Some designs in this collection may have been created using unique special stitches and/or techniques. To preserve design integrity when rescaling or rotating designs in your software, always rescale or rotate designs using the handles directly on-screen.



80253-03 Sewing 2 Motif 1

Size Inches: Size mm:
4.55 X 8.00 in. 115.57 X 203.20 mm

- 1. Single Color Design..... 0020

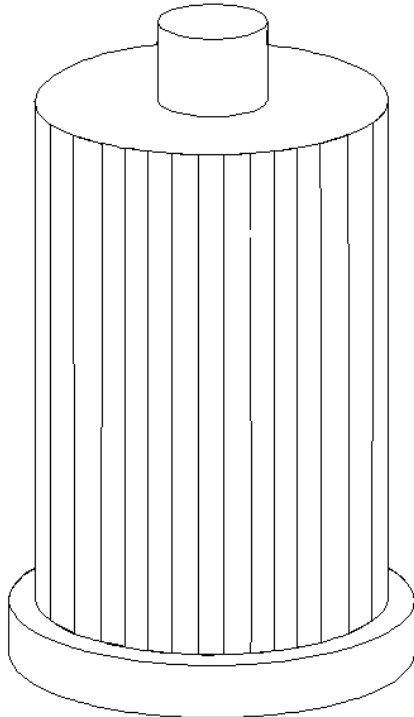


80253-04 Sewing 2 Motif 2

Size Inches: Size mm:
4.56 X 8.00 in. 115.82 X 203.20 mm

- 1. Single Color Design..... 0020

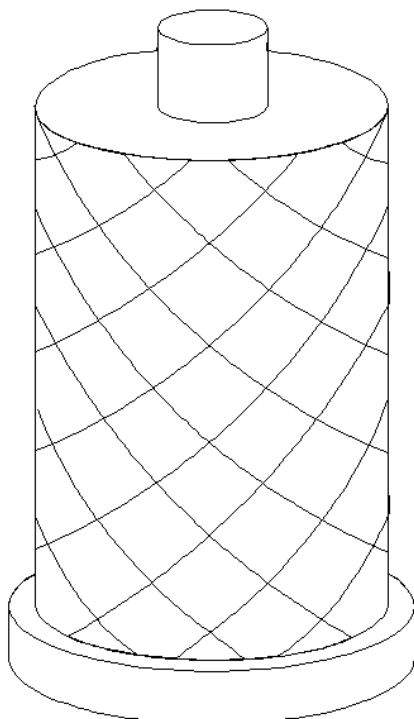
Note: Some designs in this collection may have been created using unique special stitches and/or techniques. To preserve design integrity when rescaling or rotating designs in your software, always rescale or rotate designs using the handles directly on-screen.



80253-05 Sewing 2 Motif 3

Size Inches: Size mm:
4.55 X 8.00 in. 115.57 X 203.20 mm

- 1. Single Color Design..... 0020

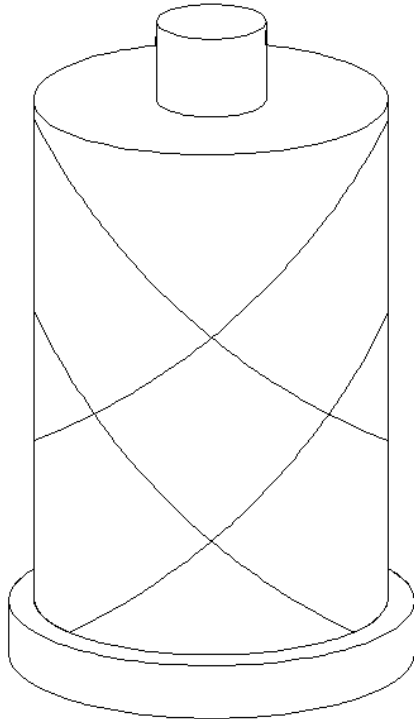


80253-06 Sewing 2 Motif 4

Size Inches: Size mm:
4.55 X 8.00 in. 115.57 X 203.20 mm

- 1. Single Color Design..... 0020

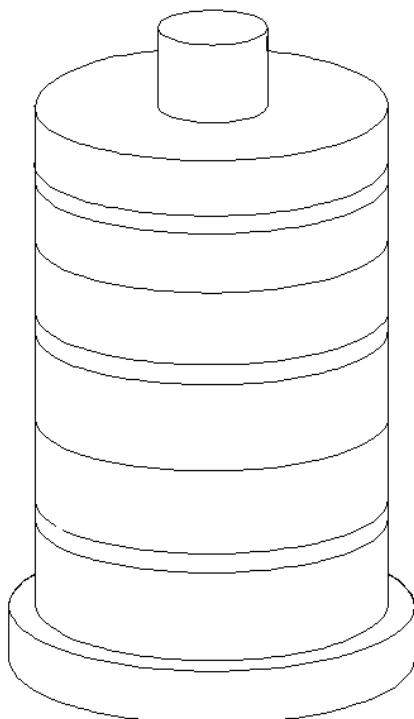
Note: Some designs in this collection may have been created using unique special stitches and/or techniques. To preserve design integrity when rescaling or rotating designs in your software, always rescale or rotate designs using the handles directly on-screen.



80253-07 Sewing 2 Motif 5

Size Inches: Size mm:
4.55 X 8.00 in. 115.57 X 203.20 mm

- 1. Single Color Design..... 0020



80253-08 Sewing 2 Motif 6

Size Inches: Size mm:
4.55 X 8.00 in. 115.57 X 203.20 mm

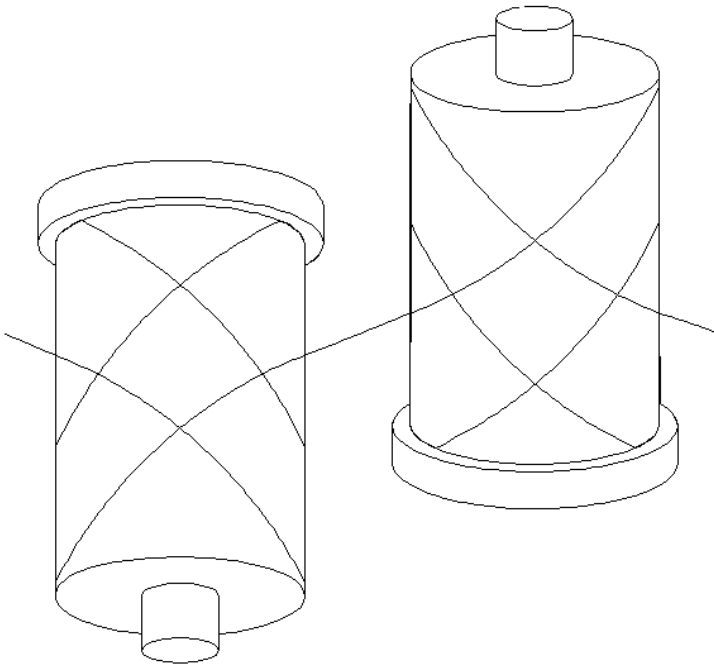
- 1. Single Color Design..... 0020

Note: Some designs in this collection may have been created using unique special stitches and/or techniques. To preserve design integrity when rescaling or rotating designs in your software, always rescale or rotate designs using the handles directly on-screen.

80253-09 Sewing 2 Pantograph

Size Inches: Size mm:
8.00 X 8.73 in. 203.20 X 221.74 mm

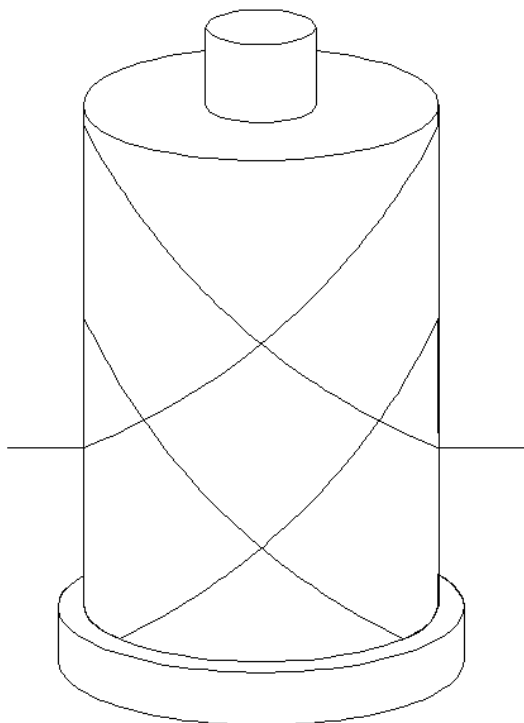
- 1. Single Color Design..... 0020



80253-10 Sewing 2 Straight Border

Size Inches: Size mm:
4.11 X 5.66 in. 104.39 X 143.76 mm

- 1. Single Color Design..... 0020



Note: Some designs in this collection may have been created using unique special stitches and/or techniques. To preserve design integrity when rescaling or rotating designs in your software, always rescale or rotate designs using the handles directly on-screen.

80253-11 Sewing 2 Triangle

Size Inches: Size mm:
4.79 X 12.00 in. 121.67 X 304.80 mm

- 1. Single Color Design..... 0020

