



#90001
15 DESIGNS



LUMBERJACK LIFE

BY CINDY LINDGREN
COLLECTION

It is a violation of Copyright law to make and distribute copies of electronic designs or artwork.
Electronic designs are licensed to the original purchaser for use at one location. ©2019 Cindy Lindgren, LLC. All rights reserved.

MATERIALS



Isacord Thread Colors

0010 Silky White
0020 Black
0131 Smoke
0138 Heavy Storm
0184 Pearl
0442 Tarnished Gold
0453 Army Drab
0532 Champagne
0552 Flax
0622 Star Gold
0761 Oat

0842 Toffee
0853 Pecan
0904 Spanish Gold
0922 Ashley Gold
1032 Bronze
1055 Bark
1115 Copper
1133 Peru
1140 Meringue
1154 Penny
1430 Melon

2101 Country Red
2152 Heather Pink
3644 Royal Navy
3820 Celestial
3962 River Mist
3963 Hint of Blue
5643 Green Dust
5934 Moss Green
6043 Yellowgreen
6133 Caper

DESIGNS



Note: Some designs in this collection may have been created using unique special stitches and/or techniques. To preserve design integrity when rescaling or rotating designs in your software, always rescale or rotate designs using the handles directly on-screen.

90001-01 Tree

Size Inches: Size mm: Stitch Count:
4.98 X 2.96 in. 126.5 X 75.2 mm 5101 St.

- 1. Brown Detail 1032
- 2. Green Detail 5643



*Fabric Required

90001-02 Squirrel Applique

Size Inches: Size mm: Stitch Count:
3.99 X 3.97 in. 101.3 X 100.8 mm 13387 St.

- 1. Cream Fabric Placement Stitch..... 0622
- 2. Cut Line and Tackdown..... 0622
- 3. Gold Detail 0622
- 4. Light Tan Detail 0532
- 5. Brown Detail 1032
- 6. Dark Tan Detail 0552
- 7. Dark Gold Detail 0442



DESIGNS



Note: Some designs in this collection may have been created using unique special stitches and/or techniques. To preserve design integrity when rescaling or rotating designs in your software, always rescale or rotate designs using the handles directly on-screen.

*Fabric Required



90001-03 Fox Applique

Size Inches: Size mm: Stitch Count:
4.03 X 3.51 in. 102.4 X 89.2 mm 12600 St.

- 1. Orange Fabric Placement Stitch 1140
- 2. Cut Line and Tackdown..... 1140
- 3. Light Tan Detail..... 1140
- 4. Orange Detail..... 1115
- 5. Tan Cover Stitch and Detail..... 0842
- 6. Black Detail 0020

*Fabric Required



90001-04 Lumberjack Bear Applique

Size Inches: Size mm: Stitch Count:
4.61 X 4.76 in. 117.1 X 120.9 mm 19160 St.

- 1. Red Fabric Placement Stitch..... 0842
- 2. Cut Line and Tackdown..... 0842
- 3. Brown Fabric Placement Stitch..... 0842
- 4. Cut Line and Tackdown..... 0842
- 5. Medium Tan Detail 0842
- 6. Pink Detail..... 2152
- 7. Light Tan Detail..... 1140
- 8. Dark Brown Cover Stitch and Detail..... 1032
- 9. Eyes and Nose..... 0020
- 10. Gray Detail 0131
- 11. Black Cover Stitch..... 0020

DESIGNS



Note: Some designs in this collection may have been created using unique special stitches and/or techniques. To preserve design integrity when rescaling or rotating designs in your software, always rescale or rotate designs using the handles directly on-screen.

90001-05 Pine Cone



Size Inches: **3.31 X 3.47 in.** Size mm: **84.1 X 88.1 mm** Stitch Count: **7812 St.**

- 1. Green Detail5643
- 2. Light Brown Detail..... 0853
- 3. Dark Brown Detail 1055

90001-06 Lumberjack and Ox 1



Size Inches: **5.01 X 4.75 in.** Size mm: **127.3 X 120.7 mm** Stitch Count: **18964 St.**

- 1. Skin Detail 1140
- 2. Red Detail 2101
- 3. Dark Blue Detail3644
- 4. Light Red Detail.....1430
- 5. Brown Detail 0853
- 6. Pipe 0552
- 7. Medium Blue Ox..... 3820
- 8. Light Blue Ox Detail3963
- 9. White Detail..... 0010
- 10. Ox Nose..... 0131
- 11. Dark Gray Detail..... 0138
- 12. Black Detail 0020

DESIGNS



Note: Some designs in this collection may have been created using unique special stitches and/or techniques. To preserve design integrity when rescaling or rotating designs in your software, always rescale or rotate designs using the handles directly on-screen.

*Fabric Required



90001-07 Bicycle Ox Applique

Size Inches: Size mm: Stitch Count:
5.42 X 4.74 in. 137.7 X 120.4 mm 16082 St.

- 1. Tan Fabric Placement Stitch..... 0532
- 2. Cut Line and Tackdown..... 0532
- 3. Light Tan Cover Stitch 0532
- 4. Brown Cover Stitch..... 0853
- 5. Red Frame 2101
- 6. Gray Bike Detail 0131
- 7. Medium Blue Ox..... 3820
- 8. Light Blue Ox Detail 3962
- 9. White Detail..... 0010
- 10. Dark Blue Detail 3644
- 11. Nose 0131
- 12. Dark Gray Detail..... 0138
- 13. Black Detail 0020

*Fabric Required



90001-08 Bicycle Lumberjack Applique

Size Inches: Size mm: Stitch Count:
5.42 X 4.75 in. 137.7 X 120.7 mm 16543 St.

- 1. Tan Fabric Placement Stitch..... 0532
- 2. Cut Line and Tackdown..... 0532
- 3. Light Tan Cover Stitch 0532
- 4. Brown Cover Stitch..... 0853
- 5. Skin Detail..... 1140
- 6. Brown Hair Detail 0853
- 7. Dark Blue Shorts and Strap Detail..... 3644
- 8. Red Shirt and Hat Detail 2101
- 9. Light Blue Detail..... 3963
- 10. Red Bike Detail 2101
- 11. Sock..... 0010
- 12. Gray Detail 0131
- 13. Dark Blue Bike and Glove Detail 3644
- 14. Shoe 0853
- 15. Light Red Detail..... 1430
- 16. Eye 0020

DESIGNS



Note: Some designs in this collection may have been created using unique special stitches and/or techniques. To preserve design integrity when rescaling or rotating designs in your software, always rescale or rotate designs using the handles directly on-screen.

90001-09 Lumberjack and Ox 2

Size Inches: Size mm: Stitch Count:
5.60 X 4.75 in. 142.2 X 120.7 mm 21717 St.



■	1. Medium Blue Ox Detail.....	3820
■	2. Light Blue Ox Detail	3963
■	3. White Detail.....	0010
■	4. Gray Detail	0131
■	5. Skin Detail.....	1140
■	6. Red Detail	2101
■	7. Tan Spoon Detail.....	0842
■	8. Dark Blue Detail	3644
■	9. Medium Blue Glove and Shirt Detail	3820
■	10. Dark Gray Detail.....	0138
■	11. Light Tan Spoon Detail.....	0532
■	12. Light Red Detail.....	1430
■	13. Brown Detail	0853
■	14. Black Detail	0020

90001-10 Moose

Size Inches: Size mm: Stitch Count:
5.04 X 4.70 in. 128.0 X 119.4 mm 13692 St.



■	1. Dark Tan Detail	0532
■	2. Medium Brown Detail.....	1032
■	3. Dark Brown Detail	1055
■	4. Light Tan Detail.....	0761
■	5. Medium Tan Detail	1140
■	6. Grass.....	6133

DESIGNS



Note: Some designs in this collection may have been created using unique special stitches and/or techniques. To preserve design integrity when rescaling or rotating designs in your software, always rescale or rotate designs using the handles directly on-screen.

90001-11 Campfire



Size Inches: Size mm: Stitch Count:
4.51 X 2.92 in. **114.6 X 74.2 mm** **10883 St.**

- 1. White Flame Detail 0010
- 2. Yellow Flame Detail 0622
- 3. Orange Flame Detail 0904
- 4. Tan Detail 0842
- 5. Light Brown Detail..... 0853
- 6. Medium Brown Detail..... 0922
- 7. Dark Brown Detail 1055
- 8. Yellow Log Detail 0622

*Fabric Required

90001-12 Timber Badge Applique



Size Inches: Size mm: Stitch Count:
3.51 X 3.51 in. **89.2 X 89.2 mm** **8558 St.**

- 1. Gray Fabric Placement Stitch..... 0131
- 2. Cut Line and Tackdown..... 0131
- 3. Cover Stitch..... 0131
- 4. Dark Blue Lettering3644
- 5. Brown Detail 1055
- 6. Gray Tree Detail 0131
- 7. Tan Detail1133
- 8. Light Gray Detail..... 0184
- 9. Red Detail 2101

DESIGNS



Note: Some designs in this collection may have been created using unique special stitches and/or techniques. To preserve design integrity when rescaling or rotating designs in your software, always rescale or rotate designs using the handles directly on-screen.

*Fabric Required

90001-13 Log Applique

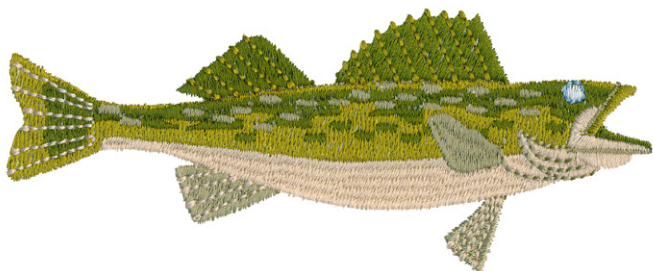
Size Inches: Size mm: Stitch Count:
2.17 X 4.54 in. **55.1 X 115.3 mm** **9405 St.**



- 1. Brown Fabric Placement Stitch..... 0532
- 2. Cut Line and Tackdown..... 0532
- 3. Light Tan Detail..... 0532
- 4. Brown Cover Stitch.....1154
- 5. Dark Brown Detail..... 1055
- 6. Tan Cover Stitch.....1133
- 7. White Detail..... 0010

90001-14 Fish

Size Inches: Size mm: Stitch Count:
5.01 X 2.03 in. **127.3 X 51.6 mm** **11840 St.**



- 1. Medium Green Detail 6043
- 2. Tan Detail0761
- 3. Dark Green Detail.....5934
- 4. Light Blue Detail.....3963
- 5. Medium Blue Detail 3820
- 6. Light Green Detail..... 0453
- 7. Tan Linework Detail0761
- 8. Medium Green Linework Detail 6043

DESIGNS

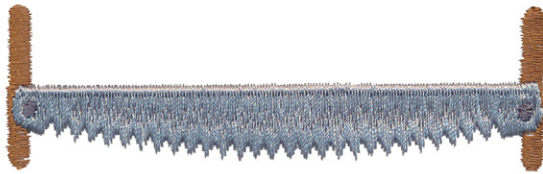


Note: Some designs in this collection may have been created using unique special stitches and/or techniques. To preserve design integrity when rescaling or rotating designs in your software, always rescale or rotate designs using the handles directly on-screen.

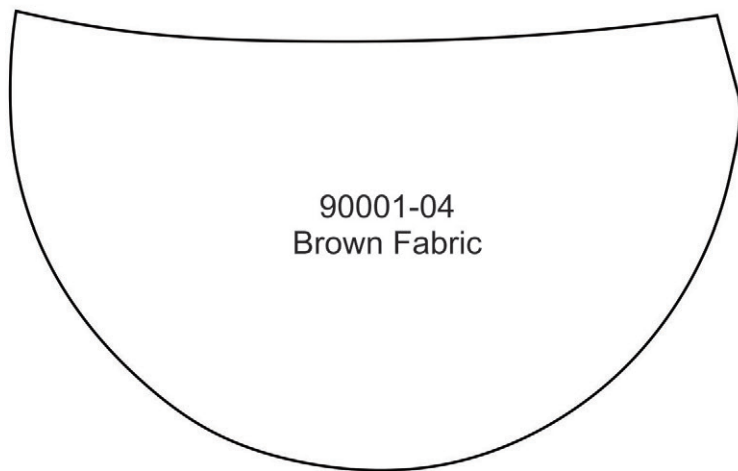
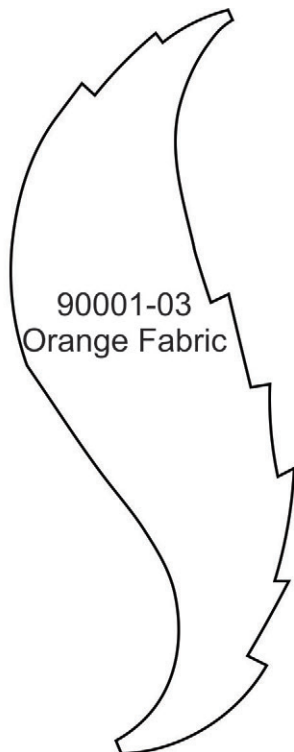
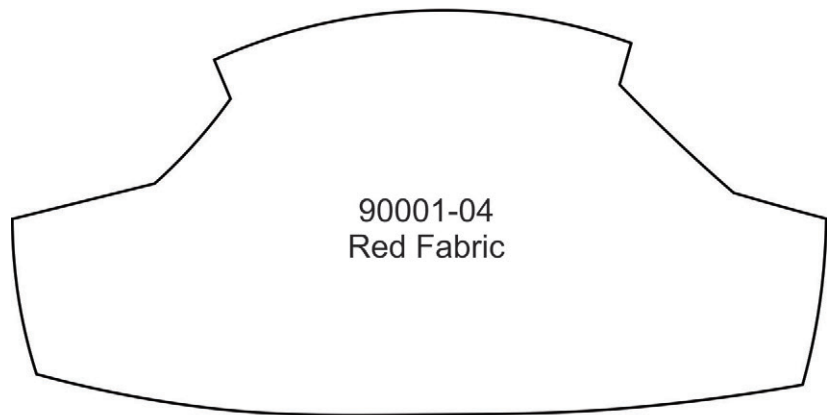
90001-15 Two Man Handsaw

Size Inches:	Size mm:	Stitch Count:
1.07 X 3.50 in.	27.2 X 88.9 mm	1910 St.

- 1. Handles1154
- 2. Blade 0131
- 3. Screws 0138



APPLIQUE PATTERNS



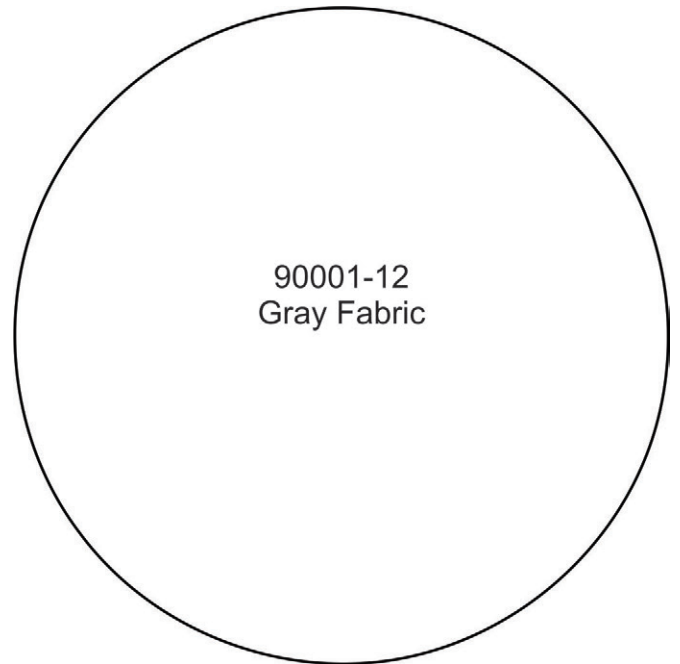
APPLIQUE PATTERNS



90001-07
Tan Fabric
Front Wheel



90001-08
Tan Fabric
Front Wheel



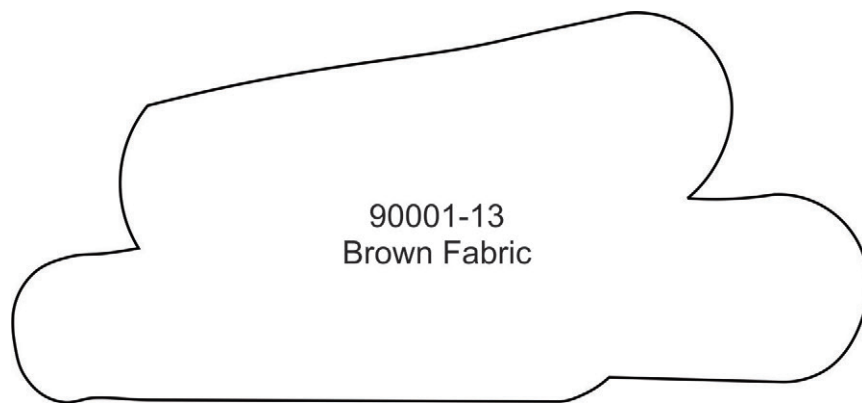
90001-12
Gray Fabric



90001-07
Tan Fabric
Back Wheel



90001-08
Tan Fabric
Back Wheel



90001-13
Brown Fabric